

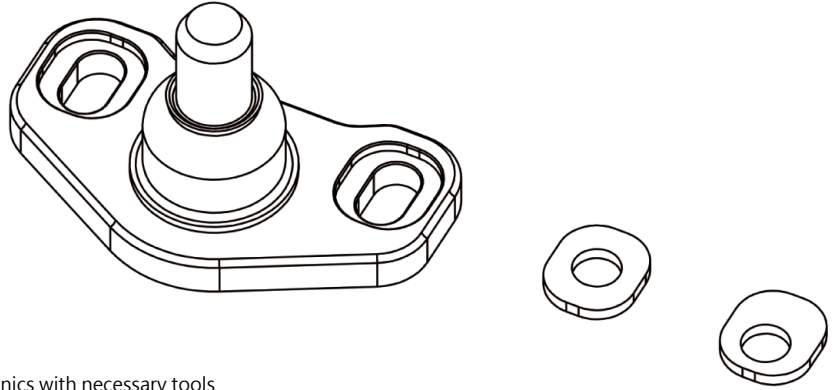
# Installation Instructions

## Application

HONDA CIVIC TYPE-R FK8 & FL5

## Components

- ① Ball joint assembly .....2pcs
- ② Washer .....4pcs
- ③ Eccentric washer .....4pcs

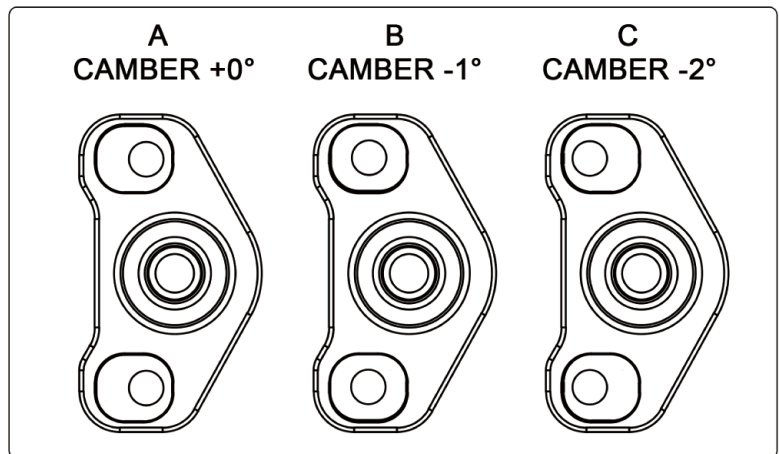
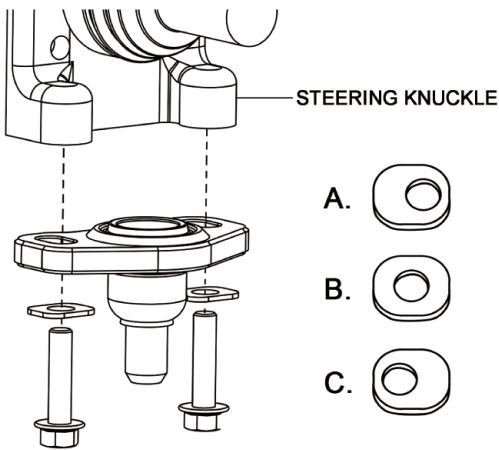


## Caution

- Installation is recommended to be performed by licensed mechanics with necessary tools to ensure safety. Incorrect installation may cause injury, damage to the product or vehicle.
- Note the routing of wires and cables before installation, or please refer to factory manual.
- Tighten bolts and nuts firmly by using handtools, and with specified torque if mentioned.

## Instructions

1. Raise and safely support the vehicle. Then remove front wheels to access steering knuckles.
2. Detach lower ball joint from strut forks, then remove factory ball joint assemblies from steering knuckles.
3. Install supplied washers to the ball joint housing. Adjust to desired camber settings by inserting washers, or eccentric washers in different directions as shown in below figure.



4. Install the ball joint assembly to knuckles using the factory bolts.
5. Reinstall the steering knuckles to strut forks.
6. Please have the vehicle professionally aligned after installation.

