

SEAT MOUNT PART NUMBER'S:
 SM-AP1-L-S1G (GREY)
 SM-AP1-L-S1B (BLACK)

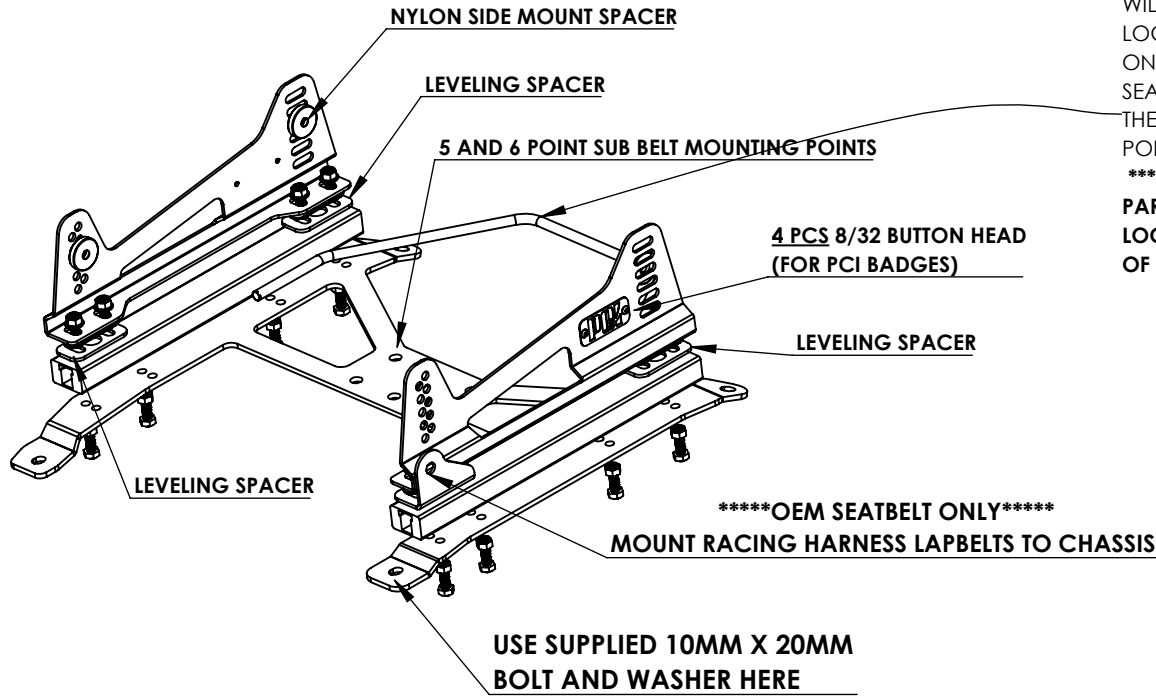
S2000 SLIDER (STANDARD SIDE MOUNTS)

16.25"-18.25" WIDE SEATS



SIDE MOUNT PART NUMBERS BELOW:
 SM-SIDE-S1G (GREY)
 SM-SIDE-S1B (BLACK)

****LEFT SIDE (US DRIVER SIDE) BELOW****



PROPER RELEASE HANDLE INSTALLATION :

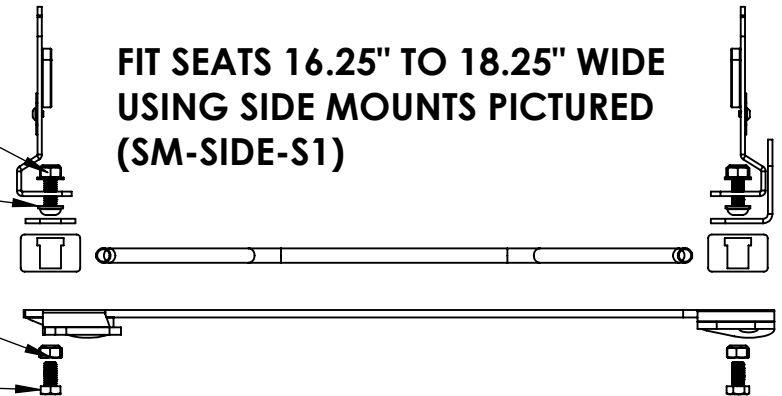
THE RELEASE HANDLES ARE UNIVERSAL AND ARE NOT ALWAYS THE CORRECT WIDTH FOR PROPER INSTALLATION. DEPENDING ON THE SLIDER MOUNTING LOCATION THE RELEASE BAR MAY NEED TO BE BENT TO THE CORRECT WIDTH. ONCE THE CORRECT MOUNTING LOCATION HAS BEEN DETERMINED FOR THE SEAT BEING USED THE RELEASE BAR NEEDS TO BE BENT A 1/2" WIDER THAN THE SLIDERS SO ONCE INSTALLED IT IS UNDER A PRELOAD PREVENTING IT FROM POPPING OUT.

*****NO PART OF THE RELEASE HANDLE SHOULD EVER BE MAKING CONTACT WITH ANY PART OF THE SEAT MOUNT, SEAT, OR CHASSIS PREVENTING THE SLIDERS FROM FULLY LOCKING. ONCE IN A FULLY LOCKED POSITION THERE SHOULD BE A MINIMUM 1/4" OF CLEARANCE BETWEEN THE RELEASE BAR AND ANY POINT OF POSSIBLE CONTACT*****

Supplied hardware:

- 1 PC. M10 X 1.25 X 25 HEX HEAD 10.9
- 8 PCS. M8 x 1.25 x 16MM HEX HEAD 10.9
- 8 PCS. 5/16 WASHERS GRADE 8
- 4 PCS. SIDE MOUNT TO SLIDER WELDED BOLT PLATE
- 16 PCS. 8MM NYLOC NUT ZINC PLATED 10.9
- 4 PCS. BLACK NYLON SIDE MOUNT SPACERS

- 8 PCS 5/16 GRADE 8 WASHER
- 8 PCS M8 X1.25 NYLOC GRADE 10.9 (TOP SIDE OF SIDE MOUNT)
- 4 PCS WELDED SIDE MOUNT HARDWARE PLATE (INSIDE SLIDER)
- 8 PCS M8 X1.25 NYLOC GRADE 10.9 (INSIDE SLIDER)
- 8 PCS M8 X1.25 HEX HEAD BOLT GRADE 10.9



FIT SEATS 16.25" TO 18.25" WIDE USING SIDE MOUNTS PICTURED (SM-SIDE-S1)

****FOR OFF ROAD USE ONLY** ANY QUESTIONS REGARDING THIS PRODUCT PLEASE CONTACT SALES@PROCARINNOVATIONS.COM**